



Stainless Steel Series

**6 Slice Digital
Toaster Oven**

Instruction Manual



Thank You for your purchase

Register & sign up for special announcements and trendy recipes!

Tell us what you think!
Rate, review or ask us a question.

@bellahousewares.com
#getinspired



BellaLife



BellaLifestyle

Table of Contents

Important Safeguards.....	3-5
Additional Important Safeguards.....	5-6
Notes On The Plug.....	7
Notes On The Cord.....	7
Plasticizer Warning.....	7
Electric Power.....	7
Getting To Know Your Toaster Oven.....	8
Control Panel.....	9
Pre-Programmed Functions.....	10
Function Chart.....	11
Shelf Positions.....	12
Convection Cooking.....	12
Weight/Size Restrictions.....	13
Before Using For The First Time.....	13-14
USDA Cooking Guidelines.....	15
Defrost.....	15-16
Toast.....	16-17
Bagel.....	18-19
Convection Bake/Roast.....	20-23
Convection Pizza.....	24-25
Broil.....	26-27
Cookies.....	28-29
Warm.....	29-30
Convection Reheat.....	31-32
User Maintenance Instructions.....	33
Care & Cleaning Instructions.....	33
Storing Instructions.....	34
Warranty.....	35-36

IMPORTANT SAFEGUARDS

When using electrical appliances, basic safety precautions should always be followed including the following:

1. **Read all instructions.**
2. Do not touch hot surfaces. Use handles or knobs.
3. To protect against electrical shock do not immerse cord, plugs, or appliance in water or other liquid.
4. This appliance is not intended for use by persons (including children) with reduced physical, sensory or mental capabilities, or lack of experience and knowledge, unless they have been given supervision or instruction concerning use of the appliance by a person responsible for their safety.
5. Children should be supervised to ensure that they do not play with the appliance.
6. Unplug from outlet when not in use and before cleaning. Allow Toaster Oven to cool before putting on or taking off parts.
7. Do not operate any appliance with a damaged cord or plug or after the appliance malfunctions, or has been damaged in any manner. Bring it to a qualified technician for examination, repair or electrical or mechanical adjustment.
8. The use of accessory attachments not recommended by the appliance manufacturer may cause injuries.
9. Do not use outdoors.
10. Do not let cord hang over edge of table or counter, or touch hot surfaces.
11. Do not place on or near a hot gas or electric burner, or in a heated oven.
12. Extreme caution must be used when moving an appliance containing hot oil or other liquids.
13. To disconnect, press the red START/CANCEL Button. Remove the plug from the wall outlet.
14. Do not use appliance for other than intended use.
15. Oversize foods or metal utensils must not be inserted in the Toaster Oven as they may create a fire or risk of electric shock.
16. A fire may occur if the Toaster Oven is covered or touching flammable material, including curtains, draperies, walls, and the like, when in operation. Do not store any item on top of the appliance when in operation.
17. Do not clean with metal scouring pads. Pieces can break off the pad and touch electrical parts involving a risk of electrical shock.
18. Extreme caution should be exercised when using containers constructed of other than metal or glass.
19. Do not store any materials, other than manufacturer's recommended accessories, in this Toaster Oven when not in use.
20. Do not place any of the following materials in the Toaster Oven: paper, cardboard, plastic, and the like.
21. Do not cover crumb tray or any part of the Toaster Oven with metal foil. This will cause overheating of the Toaster Oven.

22. Use extreme caution when removing the crumb tray or disposing of hot grease.
23. Do not cover the Toaster Oven with anything that would prevent steam from escaping. This may cause warping, discoloration, malfunction or even fire.

SAVE THESE INSTRUCTIONS FOR HOUSEHOLD USE ONLY

ADDITIONAL IMPORTANT SAFEGUARDS

CAUTION HOT SURFACES: This appliance generates heat and escaping steam during use. Proper precautions must be taken to prevent the risk of burns, fires, or other injury to persons or damage to property.

1. A person who has not read and understood all operating and safety instructions is not qualified to operate this appliance. All users of this appliance must read and understand this instruction manual before operating or cleaning this appliance.
2. If this appliance falls or accidentally becomes immersed in water, unplug it from the wall outlet immediately. **Do not reach into the water!**
3. When using this appliance, provide adequate air space above and on all sides for air circulation. Do not operate this appliance while it is touching or near curtains, wall coverings, clothing, dishtowels or other flammable materials.

4. To reduce the risk of fire, do not leave this appliance unattended during use.
5. If this appliance begins to malfunction during use, press the red START/CANCEL Button. Remove the plug from the wall outlet. Do not use or attempt to repair a malfunctioning appliance!
6. The cord to this appliance should only be plugged into a 120V AC electrical wall outlet.
7. Do not use this appliance in an unstable position.
8. To reduce the risk of burns or other injuries, do not touch hot surfaces. Use of protective oven mitts or gloves as well as long-handled utensils is recommended. Use the handle when removing bar assembly from inside the Toaster Oven cavity.
9. To reduce the risk of injury to persons or property, unplug this appliance before inserting food. Always keep the appliance unplugged from the wall outlet when not in use.
10. Do not attempt to dislodge food or clean the while it is plugged in or while it is still hot.
11. Do not attempt to use the without the bake/broil pan in the lower shelf position and the glass door closed.

CAUTION: Never leave the Toaster Oven unattended while in use.

SAVE THESE INSTRUCTIONS

NOTES ON THE PLUG

This appliance has a polarized plug (one blade is wider than the other). To reduce the risk of electric shock, this plug will fit in a polarized outlet only one way. If the plug does not fit fully into the outlet, reverse the plug. If it still does not fit, contact a qualified electrician. Do not modify the plug in any way.

NOTES ON THE CORD

The provided short power-supply cord (or detachable power-supply cord) should be used to reduce the risk resulting from becoming entangled in or tripping over a longer cord. An extension cord is not recommended for use with this product.

PLASTICIZER WARNING

CAUTION: To prevent Plasticizers from migrating to the finish of the counter top or table top or other furniture, place NON-PLASTIC coasters or place mats between the appliance and the finish of the counter top or table top. Failure to do so may cause the finish to darken; permanent blemishes may occur or stains can appear.

ELECTRIC POWER

If the electrical circuit is overloaded with other appliances, your appliance may not operate properly. It should be operated on a separate electrical circuit from other appliances.

GETTING TO KNOW YOUR TOASTER OVEN

Product may vary slightly from illustrations.

Figure 1

1. Door Handle
2. Glass Door
3. Upper Heating Elements
4. Convection Fan (not shown)
5. Upper Shelf Position
6. Center Shelf Position
7. Lower Shelf Position
8. Lower Heating Elements
9. Crumb Tray
10. Control Panel
11. Oven Vents
12. Polarized Plug
13. White Backlit Digital Display

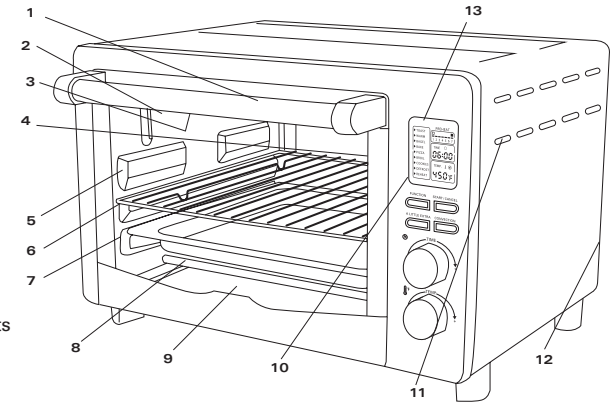
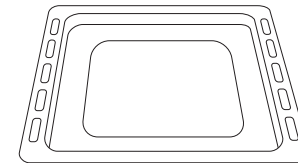
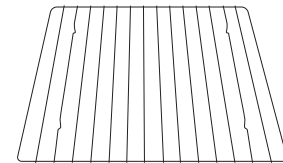


Figure 2

ACCESSORIES



Bake Pan



Wire Rack

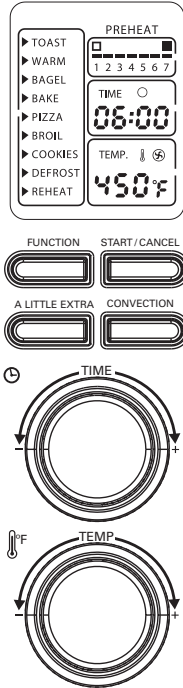
CONTROL PANEL

- DIGITAL DISPLAY.** When the unit is plugged in, an audible beep will sound and the backlit screen will show active FUNCTION, toast color (1-7), cooking TIME remaining and TEMP (Temperature).
- FUNCTION Button.** Press once to advance the arrow to 10 pre-programmed cook cycles. An audible beep can be heard and the active cycle will flash, the FUNCTION button will illuminate blue every time it is pressed.
- START/CANCEL Button.** Press to START the selected function or CANCEL. The button will illuminate red to indicate the unit is ON. When the START/CANCEL button is pressed again, the unit will turn OFF and the red lighted button will flash.
- A LITTLE EXTRA Button** extends cook time after cooking cycle is completed. If you open the glass door and check for brownness, for a bit more time, press the A LITTLE EXTRA button. An audible beep can be heard as the button illuminates blue and additional TIME will be added on the digital display.
- CONVECTION Button** illuminates blue to indicate the convection fan is operating. Press the CONVECTION button to turn the fan ON or OFF.
- TIME Control Dial.** Turn to manually change times from 01:00 minute minimum to 99:00 minutes maximum. An audible beep can be heard as the TIME is changed.

NOTE: Some functions are preprogrammed and can only be changed within preset limits.
- TEMP Control Dial.** Turn to manually change temperature from 150°F minimum to 450°F maximum. An audible beep can be heard as the TEMP is changed.

NOTE: Some functions are preprogrammed and can only be changed within preset limits

Figure 3



PRE-PROGRAMMED FUNCTIONS

- TOAST:** High heat sears and produces deliciously crisp results. Bread, muffins, frozen waffles, frozen toaster pastries, prepared toaster foods, etc.
- WARM:** Maintains hot foods for up to 99:00 minutes.
- BAGEL:** High heat sears the topsides of bagels, while warming the insides. The BAGEL function is ideal for toasting English muffins or thick sliced specialty breads.
- CONVECTION BAKE:** Use of the convection fan seals in juices, promotes browning and may shorten cooking time without turning and basting. Bake cakes, pies, cookies, poultry, beef, pork, etc.

NOTE: Press the CONVECTION button to turn the convection fan OFF.
- CONVECTION PIZZA:** This Toaster Oven accommodates any 12-inch (or smaller) fresh or frozen pizza. Convection baking assures even pizza cooking and browning.

NOTE: Press the CONVECTION button to turn the convection fan OFF.

NOTE: Press the CONVECTION button to turn the convection fan OFF.
- BROIL:** Fish, steak, poultry, pork chops, etc.
- COOKIES:** Perfect for baking home made or prepared refrigerated cookies, biscuits, cinnamon or crescent rolls.

NOTE: Press the CONVECTION button to turn the convection fan OFF.
- DEFROST:** Low temperatures assist in thawing frozen foods to be cooked in the toaster oven
- CONVECTION REHEAT:** Reheat leftovers using convection fan for even warming without browning.

NOTE: Press the CONVECTION button to turn the convection fan OFF.

NOTE: This model is equipped with a cooling fan that runs during the cooking process to cool internal electronic components. It is normal for this fan to continue to run for an extended period of time, even when the oven is off.

FUNCTION CHART

Function	Time (Min)		Temp (Fahrenheit)		A little Extra	Convection
	Default	Adjustable	Default	Adjustable		
Toast	Shade 4	Shade 1-7	450°	-	00:40	OFF
Bagel	Shade 4	Shade 1-7	450°	-	00:40	OFF
Bake	30:00	01:00 - 99:00	350°	170° - 450°	05:00	ON
Pizza	16:00	01:00 - 60:00	450°	350° - 450°	02:00	ON
Broil	10:00	01:00 - 60:00	450°	-	02:00	OFF (Default)*
Cookies	11:00	01:00 - 60:00	350°	170° - 450°	02:00	ON
Defrost	30:00	01:00 - 60:00	150°	-	05:00	OFF (Default)*
Warm	90:00	01:00 - 99:00	170°	150° - 200°	10:00	OFF (Default)*
Reheat	15:00	01:00 - 60:00	350°	170° - 450°	05:00	OFF (Default)*

* Press the CONVECTION button to turn the fan ON

NOTE: When the functions BAKE, PIZZA, COOKIES and WARM are selected, the Toaster Oven requires few minutes to pre-heat to reach the optimum temperature. Once the function is selected the text PRE-HEAT will appear on the screen and the unit will begin pre-heating. The timer will begin to count down only after pre-heat is completed. After the desired temperature is achieved, 3 beeps will sound and the text will disappear from the screen and the unit will continue to cook in the selected function.

SHELF POSITIONS

NOTE: Certain foods may require different shelf positions depending on the recipe, size, amount of food to be cooked and personal taste. Use the following information as a guide only.

1. There are 3 height positions that the wire rack or the bake/broil pan may be inserted.
2. Use the upper shelf position for the BROIL function.
3. The center shelf position is commonly used for TOAST, BAGEL, PIZZA and COOKIE functions.
4. Use the lower shelf position for BAKE, ROAST, REHEAT and WARM functions.

WARNING: Never set the bake/broil pan directly onto the lower heating elements.

CONVECTION COOKING

Convection cooking circulates heated air throughout the Toaster Oven cavity to maintain uniform temperature around the food. This constant, gentle airflow promotes browning and seals in juices when cooking meats. Due to the efficiency of using a convection fan, cooking time may be shortened.

- As a general rule, baked goods require a lower temperature when using a convection fan than cooking in a convectional oven. Lower the temperature by 25°F to a minimum of 300°F when baking cakes, pies, cookies, and bread.
- Follow package instructions for time and temperature when cooking convenience foods.
- Check food about 3/4 way through cooking cycle and adjust time or temperature if necessary.
- CONVECTION cooking is the default setting on the BAKE, PIZZA, COOKIES and REHEAT functions. Turn the convection fan OFF at any time by pressing the blue CONVECTION button.
- CONVECTION cooking is available for all functions except TOAST and BAGEL by pressing the CONVECTION button.
- Use oven-proof baking dishes, roasting pans, pizza pans or cookie sheets with very low sides, and place on the center of the wire rack to allow maximum airflow.
- Do not cover foods with metal foil or any other type of lid for maximum airflow.

WEIGHT/SIZE RESTRICTIONS

WARNING:

- Food cooked on the must be no wider than 9 inches and must fit comfortably in the Toaster Oven without touching either the lower or the upper heating elements.
- The Toaster Oven can cook up to a 4 lb. chicken or turkey and up to a 4 lb. roast.
- We suggest that you periodically check the cooking progress with a meat thermometer.

CAUTION: To prevent injury when utilizing the pause and serve feature, replace carafe within 30 seconds after removing during the brewing process.

BEFORE USING FOR THE FIRST TIME

CAUTION: To protect against electric shock, do not immerse the Toaster Oven or allow cord to come into contact with water or other liquids.

1. Read all operating instructions carefully.
2. Carefully unpack the Toaster Oven and accessories, removing all packaging materials. Remove any labels from the outer surfaces.
3. Place your Toaster Oven on a level surface such as a countertop or table. Be sure the sides, back, and top of the Toaster Oven are at least 4 inches away from any walls, cabinets, or objects on the counter or table.
4. To avoid scratching, marring, or discoloration, do not store anything on top of the Toaster Oven during operation.
5. Wash the wire rack, bake/broil pan, and crumb tray in warm, soapy water. Rinse and dry thoroughly before placing in the Toaster Oven.
6. Do not use abrasive cleaners.
7. To ensure that the Toaster Oven is free from oils used in manufacturing, it is necessary to operate the unit once, empty.

8. Make sure the crumb tray is in place in the bottom of the Toaster Oven.
9. Plug into a 120V AC electrical wall outlet. A long audible beep will sound; 3 blue buttons and the red START/CANCEL button will flash once; the digital display will illuminate as the function arrow points to a flashing TOAST; the BROWNING control will flash at 4, the medium setting. If no buttons are pressed within 60 seconds, the digital display will turn OFF as the Toaster Oven rests in standby mode. Press any button. The digital display will illuminate.
10. Press the FUNCTION button until the arrow points to a flashing BAKE. Turn the TEMP control dial to 400°F. The default 30:00 minutes will be displayed.
11. Press the START/CANCEL button; the button will illuminate red indicating the Toaster Oven is ON. The Toaster Oven will pre-heat and then count down. This will burn off any residue or oils on the oven or heating elements.
12. At the end of the 30:00 minutes, the TIMER control will display 00:00, 3 audible beeps can be heard and the Toaster Oven will turn OFF. The Toaster Oven is ready for use.

CAUTION: Appliance surfaces are hot during and after use. Always wear protective, insulated oven mitts on hands when touching a hot Toaster Oven.

NOTE: The Toaster Oven will not operate until the START/CANCEL button is pressed.

NOTE: Press the red START/CANCEL button at any time to turn the Toaster Oven OFF. If no buttons are pressed within 30 seconds, the digital display will turn OFF as the Toaster Oven rests in standby mode.

USDA COOKING GUIDELINES

A meat thermometer should always be used to gauge internal temperature. The thermometer should be inserted into thickest portion of roast away from bones or fatty areas.

The United States Department of Agriculture recommends that meat and poultry be cooked to the following internal temperatures to be sure any harmful bacteria has been killed. Ground turkey and chicken should be cooked to an internal temperature of 165°F and ground beef, veal, lamb and pork be cooked to an internal temperature of 160°F. Chicken and turkey should be cooked to an internal temperature of 170°F for white meat and 180°F for dark meat. Goose and duck should be cooked to an internal temperature of 180°F. Fresh beef, veal and lamb, etc. should be cooked to an internal temperature of at least 145°F. Fresh pork should be cooked to an internal temperature of at least 160°F. When re-heating meat and poultry products, they should also be cooked to an internal temperature of 165°F.

DEFROST

Use the DEFROST function when thawing frozen foods to be cooked in the Toaster Oven.

1. Slide the bake/broil rack into the center shelf position.
2. Plug into a 120V AC electrical wall outlet. The digital display will illuminate. Press the FUNCTION button until the arrow points to a flashing DEFROST; the default TIME 30:00 minutes and TEMP 150°F will be displayed.
3. To adjust the TIME, turn the TIME control dial to a minimum of 01:00 minute and a maximum of 60:00 minutes. The TEMP is fixed at 150°F and cannot be changed as higher temperatures may cause incomplete thawing.
4. Press the START/CANCEL button; the button will illuminate red indicating the Toaster Oven is ON. DEFROST will appear on the display, TIME will count down.

NOTE: Press the CONVECTION button at any time to turn the fan ON.

CAUTION: As soon as the START/CANCEL button is pressed, and the Toaster Oven is turned ON, both the top and the lower heating elements may cycle ON and OFF to maintain temperature for the entire cooking time.

CAUTION: Use care not to place anything on top of the Toaster Oven. Do not touch the Toaster Oven or any part of the Toaster Oven without wearing oven mitts.

NOTE: Press the red START/CANCEL button at any time to turn the Toaster Oven OFF.

5. When the TIMER control displays 00:00, 3 audible beeps can be heard and the Toaster Oven will turn OFF.

NOTE: If no buttons are pressed within 30 seconds, the digital display will turn OFF as the Toaster Oven rests in standby mode.

6. Open the glass door and check to see if food is thoroughly defrosted. For a bit more time, press the A LITTLE EXTRA button. An audible beep can be heard as the button illuminates blue, and defrost TIME on the display is extended 05:00 minutes.

TOAST

1. Make sure the crumb tray is clean and in place in the bottom of the Toaster Oven.
2. Open the glass door. Slide the wire rack into the center shelf position and arrange bread or food on the wire rack. Close the glass door.
3. Plug into a 120V AC electrical wall outlet. The digital display will illuminate as the function arrow points to a flashing TOAST; the BROWNING control will flash at 4, the medium setting. If a lighter browning color is desired, turn the TIME control dial counter-clockwise and for a darker browning color, turn the dial clockwise until the desired setting is displayed.

Desired Browning	Browning Setting
Light	1 or 2
Medium	3, 4, 5
Dark	6 or 7

NOTE: If bread or toaster food is frozen, increase browning setting by 1.

4. Press the START/CANCEL button; the button will illuminate red indicating the Toaster Oven is ON. TOAST will appear on the display, TIME will count down.

CAUTION: As soon as the START/CANCEL button is pressed, the Toaster Oven will turn ON. Both the top and the lower heating elements may cycle ON and OFF to maintain temperature for the entire cooking time.

CAUTION: Use care not to place anything on top of the Toaster Oven. Do not touch the Toaster Oven or any part of the Toaster Oven without wearing oven mitts.

NOTE: Press the red START/CANCEL button at any time to turn the Toaster Oven OFF.

5. When the TIMER control displays 00:00, 3 audible beeps can be heard and the Toaster Oven will turn OFF.
6. Open the glass door and check for toasting progress. For a bit more time, press the A LITTLE EXTRA button. An audible beep can be heard as the button illuminates blue, and cook TIME on the display is extended 00:40 seconds.
7. When you are satisfied with the toast color, wear protective oven mitts to pull the wire rack out from the Toaster Oven. Be careful when removing toast from the back of the wire rack. The inside of the Toaster Oven is very hot. Close glass door.
8. Unplug unit and allow to cool before cleaning.

WARNING: DO NOT LEAVE THE TOASTER OVEN UNATTENDED WHILE TOASTING.

9. Unplug when not in use.

HINTS FOR TOAST

- Remove all protective wrappings from food before placing in Toaster Oven. Follow toaster food directions.
- Frozen and heavy bread require a longer time setting (e.g. bagels and English muffins).
NOTE: Use extra caution when using this Toaster Oven for toasting pastry items with runny-type frosting or open fillings.
- When toasting more than one slice of bread, use slices of similar size, thickness and freshness.
- Stale bread, thin bread or sweet bread products, such as tea cakes and fruit loaf, brown much more quickly than ordinary bread, so they should be toasted for less time.
- For best results, clean crumb tray frequently.

BAGEL

Use the BAGEL function to toast English muffins or thick sliced specialty breads which require only the top side to be toasted.

1. Make sure the crumb tray is clean and in place in the bottom of the Toaster Oven.
2. Open the glass door. Slide the wire rack into the center shelf position and arrange bagels, English muffins or toaster food cut-side-up on the wire rack. (See Figure 4.) Close the glass door.
3. Plug into a 120V AC electrical wall outlet. The digital display will illuminate.
4. Press the FUNCTION button until the arrow points to a flashing BAGEL; the BROWNING control will flash at 4, the medium setting. If a lighter browning color is desired, turn the TIME control dial counter-clockwise and for a darker browning color, turn the dial clockwise until the desired setting is displayed.

Desired Browning	Browning Setting
Light	1 or 2
Medium	3, 4, 5
Dark	6 or 7

NOTE: If bread or toaster food is frozen, increase browning setting by 1.

5. Press the START/CANCEL button; the button will illuminate red indicating the Toaster Oven is ON. BAGEL will appear on the display, TIME will count down.

CAUTION: As soon as the START/CANCEL button is pressed, the Toaster Oven will turn ON. Both the top and the lower heating elements may cycle ON and OFF to maintain temperature for the entire cooking time.

CAUTION: Use care not to place anything on top of the Toaster Oven. Do not touch the Toaster Oven or any part of the Toaster Oven without wearing oven mitts.

NOTE: Press the red START/CANCEL button at any time to turn the Toaster Oven OFF.

6. When the TIMER control displays 00:00, 3 audible beeps can be heard and the Toaster Oven will turn OFF.

7. Open the glass door and check for toasting progress. For a bit more time, press the EXTRA TIME button. An audible beep can be heard as the button illuminates blue, and cook TIME on the display is extended 00:40 seconds.
8. When you are satisfied with the toast color, wear protective oven mitts to pull the wire rack out from the Toaster Oven. Be careful when removing toast from the back of the wire rack. The inside of the Toaster Oven is very hot. Close glass door.
9. Unplug unit and allow to cool before cleaning.

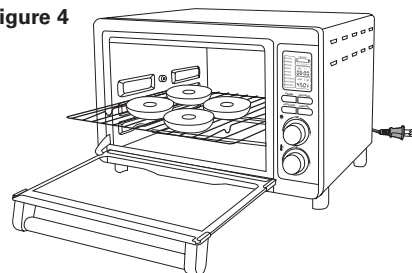
WARNING: DO NOT LEAVE THE TOASTER OVEN UNATTENDED WHEN USING THE BAGEL FUNCTION.

10. Unplug when not in use.

HINTS FOR BAGEL

- Remove all protective wrappings from food before placing in Toaster Oven. Follow toaster food directions.
- The BAGEL function offers a darker browning to accommodate bagels and English muffins, thicker and denser slices of bread.
- **WARNING:** Use extra caution when toasting pastry items with runny-type frosting or open fillings.
- When toasting more than one bagel, use halves of similar size, thickness and freshness.
- Stale bagels, thin bagels or sweet bread products, such as tea cakes and fruit loaf, brown much more quickly than ordinary bread, so reduce toasting time.
- For best results, clean crumb tray frequently.

Figure 4



CONVECTION BAKE/ROAST

Use BAKE or CONVECTION BAKE to bake casseroles, cakes, cookies, pies, biscuits or your favorite recipe according to package or recipe instructions. ROAST is a term often applied when using the BAKE or CONVECTION BAKE function to cook meats.

NOTE: Please read previous section entitled “Convection Cooking” for additional information.

CAUTION: NEVER use roasting bags or plastic containers in the Toaster Oven.

CAUTION: Do not use glass covers on baking pans. If using a glass or glass-ceramic baking container, make sure it is at least 1 inch away from the upper heating element.

1. Make sure the crumb tray is in place in the bottom of the Toaster Oven.
2. Open the glass door. If you choose to use your own baking dish, slide the wire rack onto the center or lower shelf position. Carefully center baking dish directly on wire rack and close the glass door.

CAUTION: Make sure the baking dish is at least 1 inch away from the upper heating element.

3. You may use the bake/broil pan alone to bake foods such as biscuits, cookies, or hot appetizers.
4. To ROAST meats or fish, place the wire rack, feet side down, into the bake/broil pan to create the bake/broil assembly. Place meats or fish onto the bake/broil assembly. Juices and/or fat will drip into the pan and decrease spattering while roasting.
5. Plug into a 120V AC electrical wall outlet. The digital display will illuminate. Press the FUNCTION button until the arrow points to a flashing BAKE; the default TIME 30:00 minutes and TEMP 350°F will be displayed.
6. Adjust the TIME and TEMP according to recipe instructions. Turn the TIME control dial to a minimum of 01:00 minute and a maximum of 99:00 minutes. Turn the TEMP control dial to adjust from 170°F to 450°F.

7. Press the START/CANCEL button; the button will illuminate red indicating the Toaster Oven is ON. The CONVECTION button will illuminate blue indicating the fan is ON. BAKE will appear on the display, TIME will count down.

NOTE: When the BAKE function is selected, the Toaster Oven requires few minutes to pre-heat to reach the optimum temperature. Once the function is selected the text PRE-HEAT will appear on the screen and the unit will begin pre-heating. After the desired temperature is achieved, 3 beeps will sound and the text will disappear from the screen and the unit will continue to cook in the selected function.

NOTE: Press the blue CONVECTION button at any time to turn the fan OFF.

CAUTION: As soon as the START/CANCEL button is pressed, and the Toaster Oven is turned ON, both the top and the lower heating elements may cycle ON and OFF to maintain temperature for the entire cooking time.

CAUTION: Use care not to place anything on top of the Toaster Oven. Do not touch the Toaster Oven or any part of the Toaster Oven without wearing oven mitts.

NOTE: Press the red START/CANCEL button at any time to turn the Toaster Oven OFF.

8. When the TIMER control displays 00:00, 3 audible beeps can be heard and the Toaster Oven will turn OFF.

NOTE: If no buttons are pressed within 30 seconds, the digital display will turn OFF as the Toaster Oven rests in standby mode.

9. Open the glass door and check for brownness. For a bit more time, press the A LITTLE EXTRA button. An audible beep can be heard as the button illuminates blue, and cook TIME on the display is extended 05:00 minutes.
10. When you are satisfied with the baked or roasted food, wear protective oven mitts and pull the wire rack out from the Toaster Oven. Be careful when removing foods from the back of the wire rack. The inside of the Toaster Oven is very hot. Close glass door.
11. Unplug unit and allow to cool before cleaning.

WARNING: DO NOT LEAVE THE TOASTER OVEN UNATTENDED WHILE CONVECTION BAKING OR ROASTING.

12. Unplug when not in use and allow the Toaster Oven to cool completely before cleaning.

HINTS FOR COOKING CONTAINERS

- The bake/broil pan included with the Toaster Oven is suitable for cooking items such as cookies, rolls, biscuits, nachos and hot appetizers.
- A variety of standard baking dishes, such as casseroles, any 8" or 9" round or square cake pan, a 12-cup muffin pan, 1 and 2 quart round, square, or rectangular casserole dishes may be used for cooking many different foods.
- Choose bakeware made of either metal or glass/ceramic without lids.
- Dark or dull pans absorb heat faster; foods will bake more rapidly and crust will brown more easily than in shiny bake pans.
- Check package directions on the container or contact the ovenware manufacturer to determine the container's suitability for use in a Toaster Oven.
- Do not use oven roasting bags in this Toaster Oven, as they may come in contact with the heating elements.

HINTS FOR CONVECTION BAKE

- When using CONVECTION BAKE, lower the bake recipe temperature by 25°F to a minimum of 300°F when baking cakes, pies, cookies, and bread.
- When baking, the shelf position used will depend on the size of the food being prepared. It is important to place your food as close to the center of the Toaster Oven as possible to ensure even cooking.
- Dark or dull pans absorb heat faster; foods will bake more rapidly and crust will brown more easily than in shiny bake pans.
- Choose bakeware made of metal, ovenproof glass, and ceramic.
- Check package directions to determine if the container is suitable for use in a conventional or toaster oven.

CAUTION: Allow at least 1" air space between the top of the container and the upper heating elements. Never use glass lids on glass or metal bakeware. If a lid is necessary, cover tightly with aluminum foil.

HINTS FOR CONVECTION ROAST

- **IMPORTANT!** Consult the USDA Cooking Guidelines section of this instruction manual before cooking begins. Always test meat using an accurate cooking thermometer.
- A meat thermometer inserted into the center of the meat should always be used to ensure desired doneness.
- Cook to 5 to 10 degrees below desired doneness (internal temperature). Allow meat to stand 15 to 20 minutes before serving. The temperature will continue to rise while standing.
- CONVECTION ROAST large, tender cuts of meat and poultry. Seasoning prior to cooking adds to the flavor and the aroma during cooking.
- A layer of fat on the top of the roast promotes better browning and provides natural basting.
- To speed up browning, brush lean cuts of meat, chicken and fish with oil, margarine or melted butter.
- When roasting meats with a high fat content, the bake/broil pan may fill with grease before cooking is completed. Carefully remove the bake/broil pan assembly using oven mitts and empty. Replace for continued roasting.
- Place meat (fat side up) or food to be cooked into a bake pan. If desired, turn over half-way through BAKE/ROAST time.

CONVECTION PIZZA

NOTE: Please read previous section entitled “Convection Cooking” for additional information.

Your Toaster Oven can accommodate a 12-inch fresh or frozen pizza.

1. Make sure the crumb tray is in place in the bottom of the Toaster Oven.
2. When cooking prepared pizza, fresh or frozen, remove all packaging, including cardboard, plastic, paper, or other flammable materials before placing the pizza in the Toaster Oven. When baking fresh pizza, use a lightly oiled pizza pan sprinkled with cornmeal to make removing the baked pizza easier.
WARNING: Place bake pan below the wire rack in lowest position as melted cheese and other ingredients may fall onto the heating elements and create a potential fire risk.
3. Depending on the depth of the pizza, slide the wire rack or bake/broil assembly into the center or lower shelf position. Carefully center pizza pan directly on the wire rack and close the glass door.
CAUTION: Make sure the pizza is at least 1 inch away from the upper heating element.
4. Plug into a 120V AC electrical wall outlet. The digital display will illuminate. Press the FUNCTION button until the arrow points to a flashing PIZZA; the default TIME 16:00 minutes and TEMP 450°F will be displayed.
5. Adjust the TIME and TEMP according to recipe instructions. Turn the TIME control dial to a minimum of 01:00 minute and a maximum of 60:00 minutes. Turn the TEMP control dial to adjust from 350°F to 450°F.
6. Press the START/CANCEL button; the button will illuminate red indicating the Toaster Oven is ON. The CONVECTION button will illuminate blue indicating the fan is ON. PIZZA will appear on the display, TIME will count down.

NOTE: When the PIZZA function is selected, the Toaster Oven requires few minutes to pre-heat to reach the optimum temperature. Once the function is selected the text PRE-HEAT will appear on the screen and the unit will begin pre-heating. After the desired temperature is achieved, 3 beeps will sound and the text will disappear from the screen and the unit will continue to cook in the selected function.

NOTE: Press the blue CONVECTION button at any time to turn the fan OFF.

CAUTION: As soon as the START/CANCEL button is pressed, and the Toaster Oven is turned ON, both the top and the lower heating elements may cycle ON and OFF to maintain temperature for the entire cooking time.

CAUTION: Use care not to place anything on top of the Toaster Oven. Do not touch the Toaster Oven or any part of the Toaster Oven without wearing oven mitts.

NOTE: Press the red START/CANCEL button at any time to turn the Toaster Oven OFF.

7. When the TIMER control displays 00:00, 3 audible beeps can be heard and the Toaster Oven will turn OFF.

NOTE: If no buttons are pressed within 30 seconds, the blue digital display will turn OFF as the Toaster Oven rests in standby mode.

8. Open the glass door and check for brownness. For a bit more time, press the A LITTLE EXTRA button. An audible beep can be heard as the button illuminates blue, and cook TIME on the display is extended 02:00 minutes.
9. When you are satisfied with the baked pizza, wear protective oven mitts to pull the wire rack out from the Toaster Oven. Be careful when removing foods from the back of the wire rack. The inside of the Toaster Oven is very hot. Close glass door.
10. Unplug unit and allow to cool before cleaning.

WARNING: DO NOT LEAVE THE TOASTER OVEN UNATTENDED WHILE BAKING PIZZA.

11. Unplug when not in use and allow the Toaster Oven to cool completely before cleaning.

HINTS FOR PIZZA

NOTE: If package directions do not list convection cooking times, lower the TEMP 25°F and monitor cooking progress carefully.

The versatility of this digital Toaster Oven allows you to cook a wide variety of pizzas: fresh or frozen pizza; thin crust, stuffed or deep dish perfectly every time.

- Use the TIME and TEMP controls for consistent and precision baking results.

BROIL

BROIL is used to cook tender cuts of meats or marinated meats, fish and some fruits and vegetables. Cooking time is determined by the desired doneness and the distance between the food and the element.

NOTE: Turn food halfway through cooking time. To speed up browning, brush lean cuts of meat, chicken and fish with oil or melted butter.

1. To BROIL meats, poultry or fish, place the wire rack, feet side down, into the bake/broil pan to create the bake/broil assembly. Place meats or fish onto the bake/broil assembly. Juices and/or fat will drip into the pan and decrease spattering while broiling.
2. Make sure the crumb tray is in place in the bottom of the Toaster Oven.
3. Open the glass door. Slide the bake/broil assembly into the upper shelf position. Close the glass door.
4. Plug into a 120V AC electrical wall outlet. The display will illuminate. Press the FUNCTION button until the arrow points to a flashing BROIL; the default TIME 10:00 will be displayed.
5. Adjust the TIME and TEMP according to recipe instructions. Turn the TIME control dial to a minimum of 01:00 minute and a maximum of 60:00 minutes. The temperature is fixed at 450°F.
6. Press the START/CANCEL button; the button will illuminate red indicating the Toaster Oven is ON. BROIL will appear on the display, TIME will count down.

NOTE: Press the CONVECTION button at any time to turn the fan ON.

CAUTION: As soon as the START/CANCEL button is pressed, and the Toaster Oven is turned ON, both the top and the lower heating elements may cycle ON and OFF to maintain temperature for the entire cooking time.

CAUTION: Use care not to place anything on top of the Toaster Oven. Do not touch the Toaster Oven or any part of the Toaster Oven without wearing oven mitts.

NOTE: Press the red START/CANCEL button at any time to turn the Toaster Oven OFF.

7. When the TIMER control displays 00:00, 3 audible beeps can be heard and the Toaster Oven will turn OFF.

NOTE: If no buttons are pressed within 30 seconds, the digital display will turn OFF as the Toaster Oven rests in standby mode.

8. Open the glass door and check for brownness. For a bit more time, press the A LITTLE EXTRA button. An audible beep can be heard as the button illuminates blue, and cook TIME on the display is extended 02:00 minutes.
9. When you are satisfied with the baked or roasted food, wear protective oven mitts to pull the wire rack out from the Toaster Oven. Be careful when removing foods from the back of the wire rack. The inside of the Toaster Oven is very hot. Close glass door.
10. Unplug unit and allow to cool before cleaning.

WARNING: DO NOT LEAVE THE TOASTER OVEN UNATTENDED WHILE BROILING.

11. Unplug when not in use and allow the Toaster Oven to cool completely before cleaning.

HINTS FOR BROIL/CONVECTION BROIL

- The Toaster Oven defaults to BROIL. If you would prefer to CONVECTION BROIL, press the CONVECTION button to turn the fan ON.
- Convection Broiling is used for thinner, tender cuts of meats.
- Marinated meats and fish should be dried before broiling.
- Broiling time is determined by the desired doneness and the distance between the food and the upper heating elements.
- NEVER place aluminum foil on top of the bake/broil pan. This traps grease and can cause a fire.
- Trim excess fat from meat and score edges to prevent curling.
- Thaw frozen meats and fish before broiling.
- ALWAYS pat meat dry to reduce smoke and promote brownness during broiling.

COOKIES

The Toaster Oven's flexibility and pinpoint accuracy makes it perfect for baking a wide variety of cookie types - fresh, refrigerated or frozen cookie doughs can all be used to produce fabulous results.

NOTE: For example, frozen cookie dough may need additional baking time. The amount of dough per cookie or the thickness of the cookie many also vary the cooking time.

1. Slide the cookie-filled bake/broil rack into the center shelf position.
2. Plug into a 120V AC electrical wall outlet. The digital display will illuminate. Press the FUNCTION button until the arrow points to a flashing COOKIES; the default TIME 11:00 minutes and TEMP 350°F will be displayed.
3. Adjust the TIME and TEMP according to recipe instructions. Turn the TIME control dial to a minimum of 01:00 minute and a maximum of 60:00 minutes. Turn the TEMP control dial to adjust from 170°F to 450°F.
4. Press the START/CANCEL button; the button will illuminate red indicating the Toaster Oven is ON. COOKIES will appear on the display, TIME will count down. The CONVECTION button will illuminate blue indicating the fan is on.

NOTE: When the COOKIES function is selected, the Toaster Oven requires few minutes to pre-heat to reach the optimum temperature. Once the function is selected the text PRE-HEAT will appear on the screen and the unit will begin pre-heating. After the desired temperature is achieved, 3 beeps will sound and the text will disappear from the screen and the unit will continue to cook in the selected function.

NOTE: Press the CONVECTION button at any time to turn the fan OFF.

CAUTION: As soon as the START/CANCEL button is pressed, and the Toaster Oven is turned ON, both the top and the lower heating elements may cycle ON and OFF to maintain temperature for the entire cooking time.

CAUTION: Use care not to place anything on top of the Toaster Oven. Do not touch the Toaster Oven or any part of the Toaster Oven without wearing oven mitts.

NOTE: Press the red START/CANCEL button at any time to turn the Toaster Oven OFF.

- When the TIMER control displays 00:00, 3 audible beeps can be heard and the Toaster Oven will turn OFF.

NOTE: If no buttons are pressed within 30 seconds, the digital display will turn OFF as the Toaster Oven rests in standby mode.

- Open the glass door and check for brownness. For a bit more time, press the A LITTLE EXTRA button. An audible beep can be heard as the button illuminates blue, and cook TIME on the display is extended 02:00 minutes.
- When you are satisfied with the cookies, wear protective oven mitts and pull the bake/broil pan out from the Toaster Oven. Be careful when removing foods from the back of the wire rack. The inside of the Toaster Oven is very hot. Close glass door.
- Unplug unit and allow to cool before cleaning.

WARNING: DO NOT LEAVE THE TOASTER OVEN UNATTENDED WHILE BAKING COOKIES.

- Unplug when not in use and allow the Toaster Oven to cool completely before cleaning.

WARM

CAUTION: NEVER use plastic containers in the Toaster Oven.

NOTE: Please read previous section entitled "Cooking Containers" for before placing any food in the Toaster Oven for warming.

- The WARM function maintains previously cooked foods at 150°F to 200°F, for up to 00:99 minutes.
- Make sure the crumb tray is in place in the bottom of the Toaster Oven.
- Open the glass door. Place food on the bake/broil pan or in an oven-proof dish, then place on the center of the wire rack so air flows around all sides of the food.
- Close the glass door.
- Plug into a 120V AC electrical wall outlet. The digital display will illuminate. Press the FUNCTION button until the arrow points to a flashing WARM; the default TIME 90:00 minutes and TEMP 170°F will be displayed.

- To adjust the TIME, turn the TIME control dial to a minimum of 01:00 minute and a maximum of 99:00 minutes. Turn the TEMP control dial to adjust from 150°F to 200°F.
- Press the START/CANCEL button; the button will illuminate red indicating the Toaster Oven is ON. REHEAT will appear on the display, TIME will count down.

NOTE: When the WARM function is selected, the Toaster Oven requires few minutes to pre-heat to reach the optimum temperature. Once the function is selected the text PRE-HEAT will appear on the screen and the unit will begin pre-heating. After the desired temperature is achieved, 3 beeps will sound and the text will disappear from the screen and the unit will continue to cook in the selected function.

NOTE: Press the CONVECTION button at any time to turn the fan ON.

CAUTION: As soon as the START/CANCEL button is pressed, and the Toaster Oven is turned ON, both the top and the lower heating elements may cycle ON and OFF to maintain temperature for the entire cooking time.

CAUTION: Use care not to place anything on top of the Toaster Oven. Do not touch the Toaster Oven or any part of the Toaster Oven without wearing oven mitts.

NOTE: Press the red START/CANCEL button at any time to turn the Toaster Oven OFF.

- When the TIMER control displays 00:00, 3 audible beeps can be heard and the Toaster Oven will turn OFF.

NOTE: If no buttons are pressed within 30 seconds, the digital display will turn OFF as the Toaster Oven rests in standby mode.

- Open the glass door and check for warming progress. For a bit more time, press the EXTRA TIME button. An audible beep can be heard as the button illuminates blue, and cook TIME on the display is extended 10:00 minutes.
- Be careful when removing foods from the back of the wire rack. The inside of the Toaster Oven is very hot. Close glass door.
- Unplug unit and allow to cool before cleaning.

WARNING: DO NOT LEAVE THE TOASTER OVEN UNATTENDED WHILE USING THE KEEP WARM FUNCTION.

- Unplug when not in use and allow the Toaster Oven to cool completely before cleaning.

CONVECTION REHEAT

NOTE: Please read previous section entitled “Convection Cooking” for additional information.

CAUTION: NEVER use plastic containers in the Toaster Oven.

NOTE: Please read previous section entitled “Cooking Containers” for before placing any food in the Toaster Oven for reheating.

1. Make sure the crumb tray is in place in the bottom of the Toaster Oven.
2. Open the glass door. Place food on the bake/broil pan or in an oven-proof dish, then place on the center of the wire rack so air flows around all sides of the food.
3. Close the glass door.
4. Plug into a 120V AC electrical wall outlet. The digital display will illuminate. Press the FUNCTION button until the arrow points to a flashing REHEAT; the default TIME 15:00 minutes and TEMP 350°F will be displayed.
5. To adjust the TIME, turn the TIME control dial to a minimum of 01:00 minute and a maximum of 60:00 minutes. Turn the TEMP control dial to adjust from 170°F to 450°F.
6. Press the START/CANCEL button; the button will illuminate red indicating the Toaster Oven is ON. REHEAT will appear on the display, TIME will count down.

NOTE: Press the blue CONVECTION button at any time to turn the fan ON.

CAUTION: As soon as the START/CANCEL button is pressed, and the Toaster Oven is turned ON, both the top and the lower heating elements may cycle ON and OFF to maintain temperature for the entire cooking time.

CAUTION: Use care not to place anything on top of the Toaster Oven. Do not touch the Toaster Oven or any part of the Toaster Oven without wearing oven mitts.

NOTE: Press the red START/CANCEL button at any time to turn the Toaster Oven OFF.

7. When the TIMER control displays 00:00, 3 audible beeps can be heard and the Toaster Oven will turn OFF.

NOTE: If no buttons are pressed within 30 seconds, the digital display will turn OFF as the Toaster Oven rests in standby mode.

8. Open the glass door and check for reheat progress. For a bit more time, press the A LITTLE EXTRA button. An audible beep can be heard as the button illuminates blue, and cook TIME on the display is extended 05:00 minutes.
9. When you are satisfied with the reheated food, wear protective oven mitts and pull the wire rack out from the Toaster Oven. Be careful when removing foods from the back of the wire rack. The inside of the Toaster Oven is very hot. Close glass door.
10. Unplug unit and allow to cool before cleaning.

WARNING: DO NOT LEAVE THE TOASTER OVEN UNATTENDED WHILE REHEATING FOODS.

11. Unplug when not in use and allow the Toaster Oven to cool completely before cleaning.

USER MAINTENANCE INSTRUCTIONS

This appliance requires little maintenance. It contains no user serviceable parts. Do not try to repair it yourself. Any servicing that requires disassembly other than cleaning must be performed by a qualified appliance repair technician.

CARE & CLEANING INSTRUCTIONS

1. Allow the Toaster Oven and all accessories to cool completely before cleaning.
2. Clean the outside of the Toaster Oven with a damp cloth and dry thoroughly. A non-abrasive liquid cleaner may be used for stubborn stains. Rinse and dry thoroughly. Do not use metal scouring pads or abrasive cleaners that will scratch the surface.
3. Clean interior with a mild or non-abrasive cleaner and plastic scouring pad after each use to avoid build-up. Do not rub too hard as surface can be scratched.
4. To remove baked-on food, pour a small amount of cooking oil onto the food and allow to stand for 5 to 10 minutes. Remove the softened food with a soft cloth. Do not use steel wool, scouring pads or abrasive cleaners.
5. Rinse and dry thoroughly before closing the glass door. Clean the glass door with a cloth or sponge dampened with warm, sudsy water. Dry thoroughly.
6. Wash bake/broil pan, wire rack, and crumb tray in soapy water and dry thoroughly.
7. If crumbs and spills have accumulated on the crumb tray, wipe with a damp cloth. Always dry the crumb tray thoroughly before replacing.
8. **DO NOT** use abrasive cleaners or metal scouring pads to clean bake/broil pan, wire rack, wire rack, or crumb tray. For stubborn stains, clean with a nylon or polyester mesh pad and a mild, non-abrasive cleaner. Rinse and dry thoroughly.

CAUTION: DO NOT use spray-on or other oven cleaners. Using these types of cleaners may cause cosmetic and/or electrical damage to the Toaster Oven.

STORING INSTRUCTIONS

1. Unplug unit, allow to cool, and clean before storing.
2. Slide the bake/broil assembly (wire rack and bake/broil pan) into the lower shelf position.
3. Store Toaster Oven in its box in a clean, dry place.
4. Never store appliance while it is hot or still plugged in.
5. Never wrap cord tightly around the appliance. Do not put any stress on the cord where it enters the unit, as it could cause the cord to fray and break.

Limited Two-Year Warranty

SENSIO Inc. hereby warrants that for a period of **TWO YEARS** from the date of purchase, this product will be free from mechanical defects in material and workmanship, and for 90 days in respect to non-mechanical parts. At its sole discretion, SENSIO Inc. will either repair or replace the product found to be defective, or issue a refund on the product during the warranty period.

Exclusions:

The warranty does not cover normal wear of parts or damage resulting from any of the following: negligent use of the product, use of improper voltage or current, improper routine maintenance, use contrary to the operating instructions, disassembly, repair, or alteration by anyone other than qualified SENSIO Inc. personnel. Also, the warranty does not cover Acts of God such as fire, floods, hurricanes, or tornadoes.

SENSIO Inc. shall not be liable for any incidental or consequential damages caused by the breach of any express

The warranty is only valid for the original retail purchaser from the date of initial retail purchase and is not transferable. Keep the original sales receipt, as proof of purchase is required to obtain warranty validation. Retail stores selling this product do not have the right to alter, modify, or in any way revise the terms and conditions of the warranty.

or implied warranty. Apart from the extent prohibited by applicable law, any implied warranty of merchantability or fitness for a particular purpose is limited in time to the duration of the warranty. Some states, provinces or jurisdictions do not allow the exclusion or limitation of incidental or consequential damages, or limitations on how long an implied warranty lasts, and therefore, the above exclusions or limitations may not apply to you. The warranty covers specific legal rights which may vary by state, province and/or jurisdiction.

How To Obtain Warranty Service:

You must contact Customer Service at our toll-free number: 1-866-832-4843. A Customer Service Representative will attempt to resolve warranty issues over the phone. If the Customer Service Representative is unable to resolve the problem, you will be provided with a case number and asked to return the product to SENSIO Inc. Attach a tag to the product that includes: your name, address, daytime contact telephone number, case number, and description of the problem.

Also, include a copy of the original sales receipt. Carefully package the tagged product with the sales receipt, and send it (with shipping and insurance prepaid) to SENSIO Inc.'s address. SENSIO Inc. shall bear no responsibility or liability for the returned product while in transit to SENSIO Inc.'s Customer Service Center.



**For customer service questions or comments
1-866-832-4843
bellahousewares.com**

BELLA Pro Series is a registered trademark of Sensio Inc., Montreal, Canada H3B 3X9.
All rights reserved.

SO-315443 Rev. 1