

# KITCHENSMITH™



## 4 SLICE TOASTER OVEN HORNO TOSTADOR DE 4 REBANADAS

Instruction Manual  
Recipe Guide

Manual de instrucciones  
Guía de recetas

Register your product and get support at:  
Para registrar y obtener asistencia de su producto ir:

[www.bellahousewares.com](http://www.bellahousewares.com)



## Table of Contents

Important Safeguards.....	2
Notes on the Plug.....	3
Notes on the Cord.....	3
Plasticizer Warning.....	3
Electric Power.....	3
Getting to know your Toaster Oven.....	4
Before First Use.....	4
Setting The Timer.....	4
Adjusting Time.....	4
Temperature Setting.....	4
Stay On.....	4
Function Setting.....	5
Operating Instructions.....	5-7
User Maintenance Instructions.....	8
Care And Cleaning Instructions.....	8
Storing Instructions.....	8
Warranty.....	9

## Índice

Medidas de seguridad importantes.....	10-11
Notas sobre el enchufe.....	11
Notas sobre el cable.....	11
Advertencia sobre plastificantes.....	11
Corriente eléctrica.....	11
Descripción del horno tostador.....	12
Antes de utilizar por primera vez.....	12
Ajuste del tiempo.....	12
Ajuste del temporizador.....	12
Ajuste de temperatura.....	12
Permanecer encendido.....	12
Ajuste de las funciones.....	13
Instrucciones de funcionamiento.....	13-15
Instrucciones de mantenimiento para el usuario.....	16
Instrucciones de cuidado y limpieza.....	16
Instrucciones de almacenamiento.....	16
Garantía.....	17

# IMPORTANT SAFEGUARDS

When using electrical appliances, basic safety precautions should always be followed, including the following:

- 1. READ ALL INSTRUCTIONS.**
2. Do not touch hot surfaces. Use handles or knobs.
3. To protect against electrical shock do not immerse cord, plugs, in water or other liquid.
4. Close supervision is necessary when any appliance is used by or near children.
5. Unplug from outlet when not in use and before cleaning. Allow to cool before putting on or taking off parts.
6. Do not operate any appliance with a damaged cord or plug or after the appliance malfunctions or has been damaged in any manner. Return appliance to the nearest authorized service facility for examination, repair, or adjustment.
7. The use of accessory attachments not recommended by the appliance manufacturer may cause injuries.
8. Do not use outdoors.
9. Do not let cord hang over edge of table or counter, or touch hot surfaces.
10. Do not place on or near a hot gas or electric burner, or in a heated oven.
11. Extreme caution must be used when moving an appliance containing hot oil or other hot liquids.
12. Always attach plug to appliance first, then plug cord into the wall outlet. To disconnect, turn any control to "OFF", then remove plug from wall outlet.
13. Do not use appliance for other than intended use.
14. Use extreme caution when removing tray or disposing of hot grease
15. Oversize foods or metal utensils must not be inserted in a toaster-oven as they may create a fire or risk of electric shock.
16. A fire may occur if the toaster-oven is covered or touching flammable material, including curtains, draperies, walls, and the like, when in operation.
17. Do not store any item on top of the appliance when in operation.
18. Do not clean with metal scouring pads. Pieces can break off the pad and touch electrical parts involving a risk of electric shock.
19. Extreme caution should be exercised when using containers constructed of other than metal or glass.
20. Do not store any materials, other than manufacturers recommended accessories, in this oven when not in use.
21. Do not place any of the following materials in the oven: paper, cardboard, plastic, etc.
22. Do not cover crumb tray or any part of the oven with metal foil. This will cause overheating of the oven.
23. This appliance is not intended for use by persons (including children ) with reduced physical, sensory or mental capabilities. Or lack of experience and knowledge unless they have been given supervision or instruction concerning use of the appliance by a person responsible for their safety.
24. Children should be supervised to ensure that they do not play with the appliance.
25. The appliance is not intended to be operated by means of an external timer or separate remote-control system.
26. The rear surface of appliance shall be placed against a wall.

# **FOR HOUSEHOLD USE ONLY**

# **SAVE THESE INSTRUCTIONS**

# **ADDITIONAL IMPORTANT**

# **SAFEGUARDS**

## **NOTES ON THE PLUG**

This appliance has a polarized plug (one blade is wider than the other). To reduce the risk of electric shock, this plug will fit in a polarized outlet only one way. If the plug does not fit fully into the outlet, reverse the plug. If it still does not fit, contact a qualified electrician. Do not modify the plug in any way.

## **NOTES ON THE CORD**

The provided short power-supply cord (or detachable power-supply cord) should be used to reduce the risk resulting from becoming entangled in or tripping over a longer cord. Longer detachable power-supply cords or extension cords are available and may be used if care is exercised in their use. If a longer detachable power-supply cord or extension cord is used,

1. The marked electrical rating of the cord set or extension cord should be at least as great as the electrical rating of the appliance, and;
2. The cord should be arranged so that it will not drape over the countertop or tabletop where it can be pulled on by children or tripped over unintentionally.

## **PLASTICIZER WARNING**

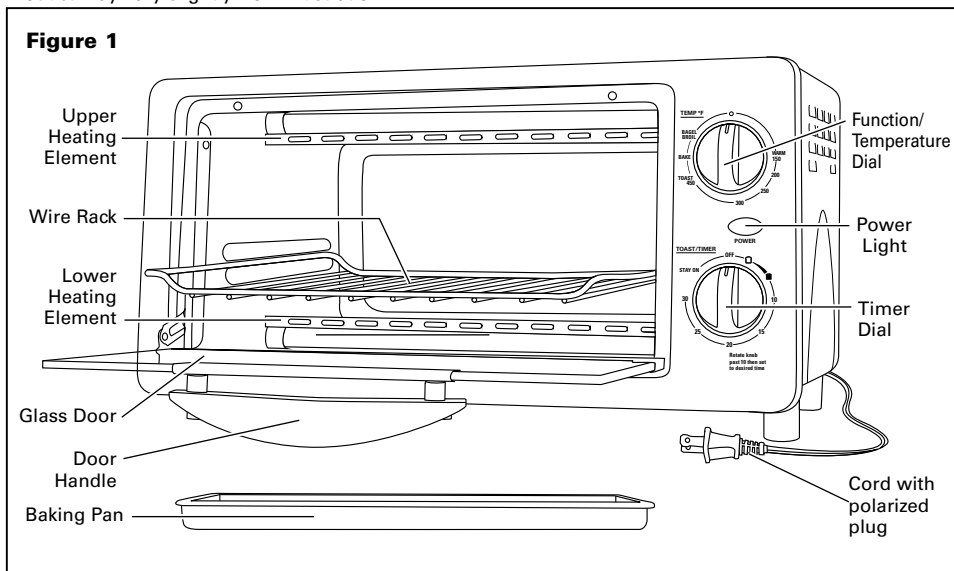
**CAUTION:** To prevent Plasticizers from migrating to the finish of the counter top or table top or other furniture, place NON-PLASTIC coasters or place mats between the appliance and the finish of the counter top or table top. Failure to do so may cause the finish to darken; permanent blemishes may occur or stains can appear.

## **ELECTRIC POWER**

If the electrical circuit is overloaded with other appliances, your appliance may not operate properly. It should be operated on a separate electrical circuit from other appliances.

## Getting To Know Your Toaster Oven

Product may vary slightly from illustration



### Before First Use

1. Remove all protective film, accessories and shipping materials packed inside the Oven; peel off clear protective film from control panel
2. Wash the Rack and Pan in warm soapy water. Wipe the inside of the Oven with a damp cloth or sponge. Blot dry with paper towels to be sure the unit is dry before using.
3. Place Oven on a flat counter or other stable surface. Ensure to leave ample space between the back of the unit and the wall to allow heat to dissipate without damaging walls or cabinets.

**DO NOT OPERATE ON THE SAME CIRCUIT WITH ANOTHER APPLIANCE.**

4. Make sure the Crumb Tray is properly installed before using. For the first time only, set the Temperature Knob to maximum (450°F), the function setting on toast and the timer to 15 minutes. This will burn off any oils still on the Oven.

**NOTE:** The oven may smoke during this process. This is normal for a new Oven and will not last more than 10-15 minutes.

### Setting The Timer

**0-30 MINUTES:** The timer can be set up to 30 minutes. When the time knob is in the "OFF" position, the oven will not operate. To set the time, turn the knob clockwise to the desired time. The indicator light is lit only when time has been set. When the timer has reached the OFF position, a signal bell will sound, and the timer control will finish in the OFF position; the Toaster Oven will shut off automatically; the power indicator light will go off.

### Adjusting Time

Timer can be changed during the cooking cycle. Just turn the timer knob to the desired time and continue cooking.

**NOTE:** When setting the timer knob for less than 5 minutes, always rotate timer to over 10 minutes and then rotate back to your chosen time. This will ensure a safe and accurate timer setting.

### Temperature Setting

Turn the temperature knob clockwise to the desired temperature setting.

The temperature can be set from 150°F to 450°F.

### Stay On

To use the Toaster Oven without time control, turn the timer knob to the STAY ON position. In this case, the toaster oven will work until the timer knob is turned to OFF position.

**CAUTION:** The contents may catch fire if it is left for too long. Close supervision is necessary.

## Function Setting

This Oven offers different functions for versatile cooking.

**BAKE:** The lower heating element is operating during this function.

**BROIL:** The upper heating element is operating during this function.

**TOAST:** The upper and lower heating elements are operating during this function.

**BAGEL:** The upper heating element is operating during this function.

**WARM:** The upper and lower heating elements are operating during this function.

**OFF:** No heating elements are operating on this setting.

**STAY ON:** The heating elements are operating in perpetuity until the user turns the oven off manually.

## Operating Instructions

**CAUTION:** The oven surfaces are hot during and after use.

1. Guide the Wire Rack into the slots on the side of the oven walls.
2. Set the food on the rack. Make sure that you always use an ovenproof container in the oven, never use plastic or cardboard containers in the oven.
3. Never use glass or ceramic pans or lids.
4. Do not let juices run to the bottom of the oven.
5. Set the temperature as suggested by the recipe or as desired.
6. Securely shut the door and set the cooking time to begin operating the oven.

## Toast / Bagel

1. Make sure the crumb tray is firmly in place in the bottom of the Toaster Oven.
2. Plug into a 120 V AC outlet.
3. Turn the temperature dial to TOAST or BAGEL/BROIL.
4. Place food in the oven.
5. Rotate the timer past 10 and then back to the desired toast color.

**CAUTION:** As soon as the timer control is engaged, the Toaster Oven will turn on. Both the top and the bottom heating elements may cycle on and off to maintain temperature for the entire cooking time.

6. Watch toast through the glass door until desired color is achieved.
7. When the TOAST time is complete, a signal bell will sound, and the timer control will finish in the OFF position; the Toaster Oven will shut off automatically; the power indicator light will go off.  
**NOTE:** If toasting is completed before the timer control shuts the Toaster Oven off, you may shut the Toaster Oven off manually by turning the timer control to the OFF position. The signal bell will sound and the power indicator light will go off.
8. Open the glass door. Wearing protective oven mitts, pull the wire rack out from the Toaster Oven. Be careful when removing toast from the back of the wire rack. The inside of the Toaster Oven is very hot. Close glass door.
9. Unplug unit and allow to cool before cleaning.

**WARNING: DO NOT LEAVE TOASTER OVEN UNATTENDED DURING TOASTING.**

10. Unplug when not in use.

## Hints For Toasting

- Remove all protective wrappings from food before placing in Toaster Oven. Follow toaster food directions.
- Frozen and heavy bread require a darker browning setting
- For toasting English muffins and bagels, place the food cut side up.
- For toaster pastries, select a color lighter than medium and toast directly on the rack.
- **NOTE:** For toasting pastry items with runny-type frosting or open fillings. Use baking pan.
- When toasting, condensation may escape from the oven door. The moisture will slowly escape from the enclosed oven.
- When toasting only two slices of bread, place bread in the middle of oven rack to get even toasting on top and bottom.
- Stale bread, thin bread or sweet bread products, such as tea cakes and fruit loaf, brown much more quickly than ordinary bread, so they should be toasted for less time.
- For best results, clean crumb tray frequently.

## Warm

1. Make sure the crumb tray is firmly in place in the bottom of the Toaster Oven.
2. Plug into a 120 V AC outlet.
3. Turn temperature control to the warm setting.
4. Rotate the timer past 10 minutes and then back to the desired time.

**CAUTION:** As soon as the timer control is engaged, the Toaster Oven will turn on. Both the top and bottom heating elements may cycle on and off to maintain temperature for the entire warming time.

5. When WARM time is completed, a signal bell will sound, and the timer control will finish in the OFF position; the Toaster Oven will shut off automatically; the power indicator light will go off.  
**NOTE:** If warming is interrupted before the timer control shuts the Toaster Oven off, you may shut the Toaster Oven off manually by turning the timer control to the OFF position. The power indicator light will go off. This function is designed to keep food warm after it has been cooked. This function should be used for short periods of time. If not using the oven timer, turn the oven to OFF when not in use.
6. Open the glass door. Wearing protective oven mitts pull the oven rack out from the Toaster Oven. Be careful when removing food from the back of the oven rack. The inside of the Toaster Oven is very hot. Close glass door.
7. Unplug unit and allow to cool before cleaning.

**WARNING: DO NOT LEAVE TOASTER OVEN UNATTENDED DURING TOASTING.**

8. Unplug when not in use.

## Hints For Warming

- Remove all protective wrappings from food before placing in Toaster Oven. Follow toaster food directions.  
**NOTE:** For food with runny-type frosting or open fillings. Use baking pan.
- When warming, condensation may escape from the oven door. The moisture will slowly escape from the enclosed oven.
- Place food in the middle of oven rack to get even warming on top and bottom.
- For best results, clean crumb tray frequently.

## Bake

1. Make sure the crumb tray is firmly in place in the bottom of the Toaster Oven.
2. Plug into a 120 V AC outlet.
3. Turn temperature control to the desired temperature setting.
4. Rotate timer past 10 and then back to 'dark toast' to preheat oven for 5 minutes before beginning to bake. After oven is preheated, set timer to desired baking time or to STAY ON. The power indicator light will illuminate.

**NOTE:** The Toaster Oven will shut off automatically if timer is set.

5. Carefully center baking dish directly on wire rack and close the glass door. You may place foods such as biscuits directly onto bake/broil pan.
6. If you are using the timer, when the BAKE time is completed, a signal bell will sound, and the timer control will finish in the OFF position; the Toaster Oven will shut off automatically; the power light will go off.
7. If the timer control is set to STAY ON, or if the food is finished cooking before the timer has signaled, turn temperature control to the lowest position and the timer control to the OFF position. Make sure power indicator light is off.
8. Wearing protective oven mitts pull the wire rack out from the Toaster Oven.
9. Unplug and allow to cool completely before cleaning.

## Hints For Baking

- Do not totally enclose foods in aluminum foil. Foil can insulate foods and slow down heating.
- To reheat rolls or biscuits, place on baking pan and heat at 300°F for 10 minutes.
- Reheat leftover roasts or casseroles at 350°F for 20 to 30 minutes or until heated through.
- Bake foods such as whole chicken on the low rack position. Place food in baking pan.



## Pizza

Your Toaster Oven has been specially designed to accommodate a 9" (22.7 cm) fresh or frozen pizza. It is best to use the BAKE function.

1. Make sure the crumb tray is firmly in place in the bottom of the Toaster Oven.
2. Set the temperature control to the suggested temperature listed on pizza box. Allow the Toaster Oven to preheat for 5 minutes.
3. Place pizza directly on wire rack provided.
4. Close the glass door.
5. Set timer control for the recommended time.

**NOTE:** To set the timer control for less than 10 minutes, turn to 10 minutes and then turn back to the appropriate amount of time.

6. When BAKE time is complete, a signal bell will sound, and the timer control will finish in the OFF position; the Toaster Oven will shut OFF automatically; the power indicator light will go off.
7. Wearing protective oven mitts, pull the wire rack out from the Toaster Oven. Remove cooked pizza carefully and transfer to a serving plate.
8. Turn temperature control to the lowest position. Make sure the timer control is in the OFF position and the power light is off.
9. Unplug and allow to cool completely before cleaning.

## Broil

1. Make sure the crumb tray is firmly in place in the bottom of the Toaster Oven.
2. Plug into a 120 V AC outlet.
3. Turn temperature dial to BAGEL/BROIL.
4. Rotate timer past 10 and then back to 'dark toast' to preheat oven for 5 minutes before beginning to broil. After oven is preheated, set timer to desired broiling time or to Stay On. The power indicator light will illuminate.

5. Carefully center baking dish directly on wire rack and close the glass door.

**NOTE:** Broil food until done, turning half way through cooking time.

Wear protective oven mitts to pull the wire rack out from the Toaster Oven.

**WARNING: NEVER LEAVE TOASTER OVEN UNATTENDED DURING BROILING.**

6. If you are using the timer, when the BROIL time is completed, a signal bell will sound, and the timer control will finish in the OFF position; the Toaster Oven will shut off automatically; the power light will go off.
7. If the timer control is set to STAY ON, or if the food is finished cooking before the timer has signaled, turn temperature control to the lowest position and the timer control to the OFF position. Make sure power indicator light is off.
8. Wearing protective oven mitts pull the wire rack out from the Toaster Oven.
9. Unplug and allow to cool completely before cleaning.

## Hints For Broiling

- Broiling is used for tender cuts of meats or marinated meats, fish and some fruits and vegetables. Cooking time is determined by the desired doneness and the distance between the food and the element.
- Do not place aluminum foil on top of the bake/broil pan. This traps grease and can cause a fire.
- Trim excess fat from meat and score edges to prevent curling and thaw frozen meats before broiling. This will reduce smoke during broiling.
- Visit [foodsafety.gov](http://foodsafety.gov) for safe cooking temperature information

## **User Maintenance Instructions**

Your Toaster Oven should be cleaned regularly for best performance, long life and to reduce the risk of fire hazard. This appliance requires little maintenance. It contains no user serviceable parts. Do not try to repair it yourself. Any servicing that requires disassembly other than cleaning must be performed by a qualified appliance repair technician.

## **Care And Cleaning Instructions**

1. Before cleaning, unplug the toaster oven and allow it to cool completely.
2. Wash all the attachments with mild, soapy water including the rack and the baking tray.
3. Do not use abrasive cleansers, scrubbing brushes and chemical cleaner on the baking tray.
4. Using a wet cloth to wipe the inner of the oven.
5. To clean the door by using a wet cloth saturated with detergent or soap.
6. Never immerse the unit in water or other liquid.
7. Any other servicing should be performed by an authorized service representative.

## **Storing Instructions**

Unplug unit, allow cooling, and cleaning before storing. Store Toaster Oven in its box in a clean, dry place. Never store appliance while it is hot or still plugged in. Never wrap cord tightly around the appliance. Do not put any stress on the cord where it enters the unit, as it could cause the cord to fray and break.

# KITCHENSMITH™

## Limited TWO-YEAR Warranty

SENSIO Inc. hereby warrants that for a period of **TWO YEARS** from the date of purchase, this product will be free from mechanical defects in material and workmanship, and for 90 days in respect to non-mechanical parts. At its sole discretion, SENSIO Inc. will either repair or replace the product found to be defective, or issue a refund on the product during the warranty period.

The warranty is only valid for the original retail purchaser from the date of initial retail purchase and is not transferable. Keep the original sales receipt, as proof of purchase is required to obtain warranty validation. Retail stores selling this product do not have the right to alter, modify, or in any way revise the terms and conditions of the warranty.

### **EXCLUSIONS:**

The warranty does not cover normal wear of parts or damage resulting from any of the following: negligent use of the product, use of improper voltage or current, improper routine maintenance, use contrary to the operating instructions, disassembly, repair, or alteration by anyone other than qualified SENSIO Inc. personnel. Also, the warranty does not cover Acts of God such as fire, floods, hurricanes, or tornadoes.

SENSIO Inc. shall not be liable for any incidental or consequential damages caused by the breach of any express or implied warranty. Apart from the extent prohibited by applicable law, any implied warranty of merchantability or fitness for a particular purpose is limited in time to the duration of the warranty. Some states, provinces or jurisdictions do not allow the exclusion or limitation of incidental or consequential damages, or limitations on how long an implied warranty lasts, and therefore, the above exclusions or limitations may not apply to you. The warranty covers specific legal rights which may vary by state, province and/or jurisdiction.

### **HOW TO OBTAIN WARRANTY SERVICE:**

You must contact Customer Service at our toll-free number: 1-866-832-4843. A Customer Service Representative will attempt to resolve warranty issues over the phone. If the Customer Service Representative is unable to resolve the problem, you will be provided with a case number and asked to return the product to SENSIO Inc. Attach a tag to the product that includes: your name, address, daytime contact telephone number, case number, and description of the problem. Also, include a copy of the original sales receipt. Carefully package the tagged product with the sales receipt, and send it (with shipping and insurance prepaid) to SENSIO Inc.'s address. SENSIO Inc. shall bear no responsibility or liability for the returned product while in transit to SENSIO Inc.'s Customer Service Center.

# MEDIDAS DE SEGURIDAD IMPORTANTES

ADVERTENCIA: Al usar aparatos eléctricos, hay que observar siempre estas medidas básicas de seguridad para reducir riesgos de incendio, electrocución y/o lesiones personales.

## 1. LEA TODAS LAS INSTRUCCIONES.

2. No toque las superficies calientes. Utilice las asas o manijas.
3. Para protegerse contra una descarga eléctrica, no sumerja el cable ni los enchufes en agua u otros líquidos.
4. Es necesario supervisar atentamente a los niños si usan aparatos o están cerca de ellos.
5. Desenchufe el aparato del tomacorriente cuando no lo utilice y antes de limpiarlo. Espere a que se enfríe antes de colocarle o extraerle piezas.
6. No utilice ningún aparato si el cable o el enchufe están dañados, o si el aparato no funciona bien o se ha dañado de alguna forma. Lleve el aparato al servicio técnico autorizado más cercano para que lo examinen, reparen o ajusten.
7. El uso de accesorios que no estén recomendados por el fabricante del aparato puede provocar lesiones.
8. No lo utilice en exteriores.
9. No permita que el cable cuelgue por el borde de la mesa o mesada, ni que toque las superficies calientes.
10. No coloque el aparato encima ni cerca de un quemador eléctrico o de gas calientes, ni en un horno caliente.
11. Se debe tener sumo cuidado cuando se traslada un aparato con aceite u otros líquidos calientes.
12. Siempre coloque el enchufe en el aparato en primer lugar; luego, enchufe el cable al tomacorriente de pared. Para desconectarlo, cambie los controles a la posición de apagado (OFF); luego, quite el enchufe del tomacorriente de pared.
13. No le dé al aparato otro uso que no sea el indicado.
14. Tenga sumo cuidado cuando extraiga la bandeja o deseche la grasa caliente.
15. No se deben introducir alimentos sobre dimensionados ni utensilios metálicos en el horno tostador, ya que pueden ocasionar un incendio u originar un riesgo de descarga eléctrica.
16. Se puede ocasionar un incendio si el horno tostador está cubierto o en contacto con materiales inflamables, incluidas cortinas, paños, paredes y objetos similares, cuando está en funcionamiento. No guarde ningún elemento sobre el aparato cuando esté en funcionamiento.
17. No guarde ningún elemento sobre el aparato cuando esté en funcionamiento.
18. No realice la limpieza con esponjas metálicas abrasivas. Partes de la esponja podrían desprenderse y tocar piezas eléctricas, lo que podría ocasionar un riesgo de descarga eléctrica.
19. Se debe tener sumo cuidado cuando se usan recipientes fabricados a partir de elementos que no sean de metal o vidrio.
20. No guarde ningún material, con la excepción de los accesorios recomendados por el fabricante, en este horno cuando no lo utilice.
21. No coloque ninguno de los siguientes materiales en el horno: papel, cartón, plástico y elementos similares.
22. No cubra la bandeja para migajas o ninguna parte del horno con papel metálico. Si lo hace, provocará el recalentamiento del horno.

23. Este aparato no fue diseñado para que lo usen personas (incluidos niños) con capacidades físicas, sensoriales o mentales reducidas, o con falta de experiencia o conocimiento, a menos que una persona responsable de su seguridad los supervise o instruya en el uso del aparato.
24. Se debe supervisar a los niños para evitar que jueguen con el aparato.
25. El aparato no fue diseñado para que un temporizador externo o sistema de control remoto individual lo haga funcionar.
26. La superficie trasera del aparato debe colocarse contra la pared.

# **GUARDE ESTAS INSTRUCCIONES PARA USO DOMÉSTICO ÚNICAMENTE OTRAS MEDIDAS DE SEGURIDAD IMPORTANTES**

## **NOTAS SOBRE EL ENCHUFE**

Este electrodoméstico cuenta con un enchufe polarizado (una pata es más ancha que la otra). Para reducir el riesgo de descarga eléctrica, este enchufe se diseñó para encajar de una sola manera en un tomacorriente polarizado. Si el enchufe no encaja bien en el tomacorriente, delo vuelta. Si aun así no encaja, comuníquese con un electricista calificado. No intente realizar ningún tipo de modificación al enchufe.

## **NOTAS SOBRE EL CABLE**

Se debe usar el cable de alimentación corto provisto (o un cable de alimentación desmontable) para reducir el riesgo de enredarse o tropezarse con un cable más largo. Existen cables de alimentación desmontables más largos o prolongadores y pueden usarse si se hace con precaución. Si se utiliza un cable de alimentación desmontable más largo o un prolongador:

1. La clasificación eléctrica indicada en el juego de cables o en el prolongador deberá ser al menos tan alta como la clasificación eléctrica del electrodoméstico.
2. El cable deberá estar dispuesto de manera que no cuelgue de la encimera o de la mesa, ya que puede ser jalado por niños o cualquier persona puede tropezarse de forma accidental.

## **ADVERTENCIA SOBRE PLASTIFICANTES**

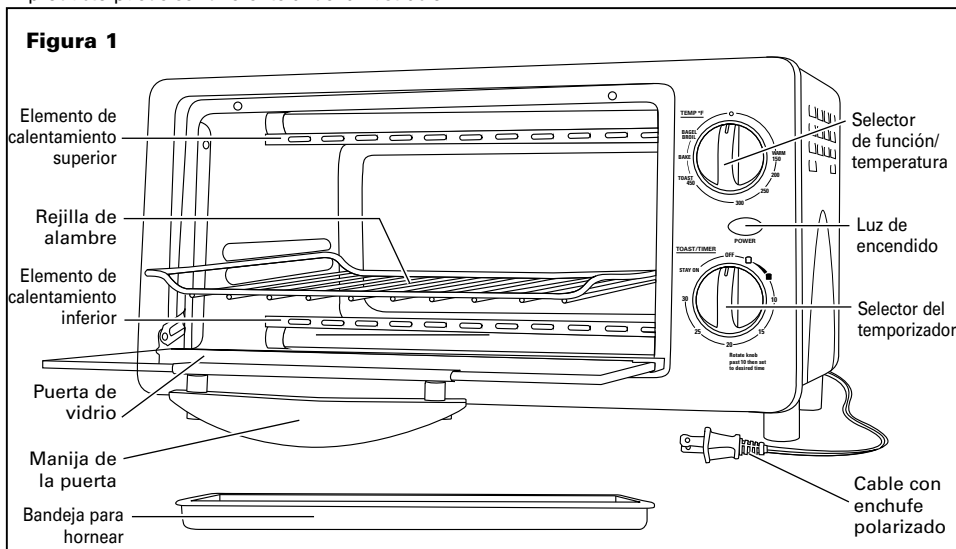
**PRECAUCIÓN:** a fin de evitar que los plastificantes se adhieran al acabado de la encimera, la mesa u otro mueble, coloque un posafuentes o salvamanteles que **NO SEA DE PLÁSTICO** entre el electrodoméstico y el acabado de la superficie de la encimera o mesa. Si no se hace esto, es posible que el acabado se oscurezca, se formen marcas permanentes o aparezcan manchas.

## **CORRIENTE ELÉCTRICA**

Si el circuito eléctrico está sobrecargado con otros artefactos, es posible que el electrodoméstico no funcione correctamente. El electrodoméstico debe funcionar en un circuito eléctrico separado de otros artefactos.

## Descripción del horno tostador

El producto puede ser diferente al de la ilustración.



### Antes de utilizar por primera vez

1. Retire todos los accesorios y materiales de envío empacados dentro del horno.
2. Lave la rejilla y la bandeja en agua tibia con jabón. Limpie el interior del horno con un paño húmedo o esponja. Seque con toallas de papel para asegurarse de que la unidad esté seca antes de usar.
3. Coloque el horno sobre una encimera plana o superficie estable. **NO LO PONGA EN FUNCIONAMIENTO EN EL MISMO CIRCUITO CON OTROS ELECTRODOMÉSTICOS.**
4. Cerciórese de que la bandeja para migas esté correctamente instalada antes de usar. Solo la primera vez, fije la perilla de control de temperatura en máximo (450 °F [232 °C]), el ajuste de función de la tostadora y el temporizador en 15 minutos. Esto quemará cualquier resto de aceite del horno.

**NOTA:** el horno puede despedir humo durante este proceso. Esto es normal en los hornos nuevos y no durará más de 10 a 15 minutos.

### Ajuste del tiempo

El temporizador puede cambiarse durante el ciclo de cocción. Simplemente gire la perilla del temporizador hacia el tiempo deseado y continúe con la cocción.

**NOTA:** al ajustar la perilla del temporizador para un ajuste menor que 5 minutos, siempre gire el temporizador hacia más de 10 minutos y luego gire hacia atrás hasta el tiempo deseado. Esto asegurará un ajuste seguro y preciso del temporizador.

### Ajuste del temporizador

0 a 30 MINUTOS: el temporizador puede ajustarse en hasta 30 minutos. Cuando la perilla de tiempo se coloca en la posición "OFF" (Apagado), el horno no funciona. Para ajustar el tiempo, gire la perilla hacia la derecha hasta el tiempo deseado. La luz indicadora se enciende solamente una vez fijado el tiempo. Cuando el temporizador ha alcanzado la posición OFF (Apagado), sonará una señal, y el control del temporizador finalizará en la posición OFF (Apagado); el horno tostador de apagará automáticamente y la luz indicadora de encendido se apagará.

### Ajuste de temperatura

Gire la perilla de temperatura hacia la derecha hasta el ajuste de temperatura deseado. La temperatura se puede ajustar entre 150 °F (65 °C) a 450 °F (232 °C).

### Permanecer encendido

Para usar el horno tostador sin control de tiempo, gire la perilla del temporizador hacia la posición STAY ON (Permanecer encendido). En este caso, el horno tostador funcionará hasta que se gire la perilla del temporizador hacia la posición OFF (Apagado).

**PRECAUCIÓN:** el contenido puede prenderse fuego si se lo deja por demasiado tiempo. Se requiere una estricta supervisión.

## Ajuste de las funciones

Este horno ofrece diferentes funciones para una cocción versátil.

**HORNEAR:** El elemento de calentamiento inferior está en funcionamiento durante esta función.

**ASAR a la parrilla:** El elemento de calentamiento superior está en funcionamiento durante esta función.

**TOSTAR:** Los elementos de calentamiento superior e inferior están en funcionamiento durante esta función.

**COCINAR ROSCAS:** El elemento de calentamiento superior está en funcionamiento durante esta función.

**CALENTAR:** Los elementos de calentamiento superior e inferior están en funcionamiento durante esta función.

**APAGADO:** Con este ajuste, ningún elemento de calentamiento está en funcionamiento.

**PERMANECER ENCENDIDO:** Los elementos de calentamiento funcionan en forma indefinida hasta que el usuario apaga el horno en forma manual.

## Instrucciones de funcionamiento

**PRECAUCIÓN:** las superficies del horno están calientes durante y luego de su uso.

1. Guíe la rejilla de alambre por las ranuras que se encuentran a cada lado de las paredes del horno.
2. Coloque los alimentos sobre la rejilla. Cerciórese de usar siempre un recipiente para horno con el electrodoméstico; nunca use recipientes de plástico o cartón en el horno.
3. Nunca use bandejas o tapas de vidrio o cerámica.
4. No permita que los jugos se filtren hacia la parte inferior del horno.
5. Ajuste la temperatura según se sugiere en la receta, o como usted lo desee.
6. Cierre la puerta firmemente y ajuste el tiempo de cocción para dar comienzo al funcionamiento del horno.

## Toastar / Cocinar roscas

1. Asegúrese de que la bandeja para migas esté colocada de manera firme en la parte inferior del horno tostador.
2. Enchúfelo en un tomacorriente de CA de 120 V.
3. Gire el selector de temperatura hacia TOAST (Tostar) o BAGEL/BROIL (Asar a la parrilla/Cocinar roscas).
4. Coloque los alimentos en el horno.
5. Gire el temporizador a más de 10 y luego hacia atrás al color de tostado deseado.

**PRECAUCIÓN:** en cuanto el control del temporizador haya sido ajustado, el horno tostador se encenderá. Tanto el elemento de calentamiento superior como el inferior pueden encenderse y apagarse para mantener la temperatura durante todo el tiempo de cocción.

6. Observe las tostadas a través de la puerta de vidrio hasta lograr el color deseado.
7. Una vez completado el tiempo de TOSTADO, sonará una señal, y el control del temporizador finalizará en la posición OFF (Apagado); el horno tostador se apagará automáticamente y la luz indicadora de encendido se apagará.

**NOTA:** si el tostado se completa antes de que el control del temporizador apague el horno tostador, usted puede apagarlo en forma manual girando el control del temporizador hacia la posición OFF (Apagado). Sonará una señal y la luz indicadora de encendido se apagará.

8. Abra la puerta de vidrio. Utilice manoplas de protección para jalar y quitar la rejilla de alambre del horno tostador. Tenga cuidado al retirar las tostadas de la parte posterior de la rejilla de alambre. El interior del horno tostador estará muy caliente. Cierre la puerta de vidrio.
9. Desenchufe la unidad y deje enfriar antes de limpiar.

**ADVERTENCIA: NO DESCUIDE EL HORNO TOSTADOR DURANTE EL CICLO DE TOSTADO.**

10. Desenchúfelo cuando no esté en uso.

## Consejos para tostar

- Retire todos los envoltorios de protección de los alimentos antes de colocarlos en el horno tostador. Siga las instrucciones de los alimentos para tostar.
  - El pan congelado y denso requiere un ajuste de dorado más oscuro.
  - Para tostar panecillos y roscas, coloque los alimentos mirando hacia arriba.
  - Para los pasteles de tostadora, seleccione un color más claro que medio y tueste directamente sobre la rejilla.
- NOTA:** para tostar pasteles con glaseado líquido o rellenos abiertos. Utilice una bandeja para hornear.
- Al tostar, puede escapar condensación por la puerta del horno. La humedad saldrá lentamente del horno cerrado.
  - Cuando tueste solo dos rebanadas de pan, coloque el pan en el medio de la rejilla del horno para obtener un tostado parejo en ambos lados.
  - El pan duro, el pan fino o los productos panificados dulces, tales como los pasteles para la hora del té y los panes de fruta, se doran mucho más rápido que el pan común, de modo que deben tostar por menos tiempo.
  - Para obtener resultados óptimos, limpie la bandeja para migas en forma frecuente.

## Calentar

1. Asegúrese de que la bandeja para migas esté colocada de manera firme en la parte inferior del horno tostador.
2. Enchúfelo en un tomacorriente de CA de 120 V.
3. Gire el control de temperatura hacia el ajuste de calentamiento.
4. Gire el temporizador a más de 10 minutos y luego hacia atrás hasta el tiempo deseado.  
**PRECAUCIÓN:** en cuanto el control del temporizador haya sido ajustado, el horno tostador se encenderá. Tanto el elemento de calentamiento superior como inferior puede encenderse y apagarse para mantener la temperatura durante todo el tiempo de calentamiento.
5. Una vez completado el tiempo de CALENTAMIENTO, sonará una señal, y el control del temporizador finalizará en la posición OFF (Apagado); el horno tostador se apagará automáticamente y la luz indicadora de encendido se apagará.  
**NOTA:** si el calentamiento se completa antes de que el control del temporizador apague el horno tostador, usted puede apagarlo en forma manual girando el control del temporizador hacia la posición OFF (Apagado). Se apagará la luz indicadora de encendido. Esta función está diseñada para mantener los alimentos calientes luego de haberse cocinado. Esta función debe usarse por períodos cortos. Si no se está usando el temporizador del horno, ponga el horno en OFF (Apagado) cuando no lo utilice.
6. Abra la puerta de vidrio. Utilice manoplas de protección para jalar y quitar la rejilla del horno tostador. Tenga cuidado al retirar los alimentos de la parte posterior de la rejilla de alambre. El interior del horno tostador estará muy caliente. Cierre la puerta de vidrio.
7. Desenchufe la unidad y deje enfriar antes de limpiar.  
**ADVERTENCIA: NO DESCUIDE EL HORNO TOSTADOR MIENTRAS ESTÁ EN FUNCIONAMIENTO.**
8. Desenchúfelo cuando no esté en uso.

## Consejos para calentar

- Retire todos los envoltorios de protección de los alimentos antes de colocarlos en el horno tostador. Siga las instrucciones de los alimentos para tostar.  
**NOTA:** para alimentos con glaseado líquido o rellenos abiertos. Utilice una bandeja para hornear.
- Al calentar, puede escapar condensación por la puerta del horno. La humedad saldrá lentamente del horno cerrado.
- Coloque los alimentos en el medio de la rejilla del horno para obtener un calentamiento parejo en ambos lados. Para obtener resultados óptimos, limpie la bandeja para migas en forma frecuente.

## Hornear

1. Asegúrese de que la bandeja para migas esté colocada de manera firme en la parte inferior del horno tostador.
2. Enchúfelo en un tomacorriente de CA de 120 V.
3. Gire el control de temperatura hacia el ajuste de temperatura deseado.
4. Gire el temporizador a más de 10 y luego hacia atrás hasta 'dark toast' (Tostado oscuro) a fin de precalentar el horno durante 5 minutos antes de comenzar a hornear. Luego de que el horno se ha precalentado, fije el temporizador en el tiempo de horneado deseado o en STAY ON (Permanecer encendido). Se encenderá la luz indicadora de encendido.  
**NOTA:** el horno tostador se apagará automáticamente cuando se fije el temporizador.
5. Centre cuidadosamente el molde para hornear directamente sobre la rejilla de alambre y cierre la puerta de vidrio. Puede colocar alimentos tales como galletas sobre el molde para hornear/asar a la parrilla.
6. Con el temporizador, una vez completado el tiempo de HORNEADO, sonará una señal, y el control del temporizador finalizará en la posición OFF (Apagado); el horno tostador se apagará automáticamente y la luz indicadora de encendido se apagará.
7. Si el control del temporizador se fija en STAY ON (Permanecer encendido), o si los alimentos terminan de cocinarse antes de finalizar el temporizador, gire el control de temperatura hacia la posición más baja y el control del temporizador a la posición OFF (Apagado). Asegúrese de que la luz indicadora de encendido esté apagada.
8. Utilice manoplas de protección para jalar y quitar la rejilla de alambre del horno tostador.
9. Desenchufe y deje enfriar por completo antes de limpiar.



## Consejos para hornear

- No encierre por completo los alimentos en papel de aluminio. El papel de aluminio puede aislar los alimentos y ralentizar el calentamiento.
- Para recalentar bollos o galletas, colóquelos sobre una bandeja para hornear y caliente a 300°F (149°C) durante 10 minutos.
- Recaliente los asados o guisados sobrantes a 350 °F (177 °C) durante 20 a 30 minutos o hasta que los alimentos se calienten.
- Hornee alimentos tales como pollos enteros en la posición de rejilla inferior. Coloque los alimentos en una bandeja para hornear.

## Pizza

Su horno tostador se ha diseñado especialmente para que quepa una pizza fresca o congelada de 9" (22,9 cm). Se recomienda usar la función BAKE (Hornear).

1. Asegúrese de que la bandeja para migas esté colocada de manera firme en la parte inferior del horno tostador.
2. Fije el control de temperatura en la temperatura sugerida en la caja de la pizza. Deje que el horno tostador se precaliente durante 5 minutos.
3. Coloque la pizza directamente sobre la rejilla de alambre provista.
4. Cierre la puerta de vidrio.
5. Ajuste el control del temporizador en el tiempo recomendado.

**NOTA:** para fijar el control del temporizador para un ajuste menor que 10 minutos, gire hasta 10 minutos y luego vuelva hasta la cantidad de tiempo adecuada.

6. Una vez completado el tiempo de HORNEADO, sonará una señal, y el control del temporizador finalizará en la posición OFF (Apagado); el horno tostador se apagará automáticamente y la luz indicadora de encendido se apagará.
7. Utilice manoplas de protección para jalar y quitar la rejilla de alambre del horno tostador. Retire cuidadosamente la pizza cocinada y colóquela en un plato para servir.
8. Gire el control de temperatura hacia la posición más baja. Asegúrese de que el control del temporizador esté en la posición OFF (Apagado) y que la luz de encendido esté apagada.
9. Desenchufe y deje enfriar por completo antes de limpiar.

## Asar a la parrilla

1. Asegúrese de que la bandeja para migas esté colocada de manera firme en la parte inferior del horno tostador.
2. Enchúfelo en un tomacorriente de CA de 120 V.
3. Gire el selector de temperatura hacia BROIL/BAGEL (Asar a la parrilla/Cocinar roscas).
4. Gire el temporizador a más de 10 y luego hacia atrás hasta 'dark toast' (Tostado oscuro) a fin de precalentar el horno durante 5 minutos antes de comenzar a asar a la parrilla. Luego de que el horno se ha precalentado, fije el temporizador en el tiempo deseado para asar a la parrilla o en STAY ON (Permanecer encendido). Se encenderá la luz indicadora de encendido.
5. Centre cuidadosamente el molde para hornear directamente sobre la rejilla de alambre y cierre la puerta de vidrio.

**NOTA:** ase a la parrilla los alimentos hasta que estén cocidos, girando hasta la mitad del recorrido del tiempo de cocción. Utilice manoplas de protección para jalar y quitar la rejilla de alambre del horno tostador.

**ADVERTENCIA: NO DESCUIDE EL HORNO TOSTADOR MIENTRAS ESTÁ ASANDO A LA PARRILLA.**

6. Con el temporizador, una vez completado el tiempo de ASAR A LA PARRILLA, sonará una señal, y el control del temporizador finalizará en la posición OFF (Apagado); el horno tostador se apagará automáticamente y la luz indicadora de encendido se apagará.
7. Si el control del temporizador se fija en STAY ON (Permanecer encendido), o si los alimentos terminan de cocinarse antes de finalizar el temporizador, gire el control de temperatura hacia la posición más baja y el control del temporizador a la posición OFF (Apagado). Asegúrese de que la luz indicadora de encendido esté apagada.
8. Utilice manoplas de protección para jalar y quitar la rejilla de alambre del horno tostador.
9. Desenchufe y deje enfriar por completo antes de limpiar.

## **Consejos para asar a la parrilla**

- La función asar a la parrilla se utiliza para cortes tiernos de carnes o carnes marinadas, pescado y algunas frutas y verduras. El tiempo de cocción se determina en base al punto de cocción deseado y la distancia entre los alimentos y el elemento.
- No coloque papel de aluminio sobre la bandeja para hornear/asar a la parrilla. Este captura la grasa y puede causar un incendio.
- Corte el exceso de grasa de la carne y haga cortes en los bordes para evitar que estos se doblen y descongele las carnes congeladas antes de asarlas a la parrilla. Esto reducirá el humo mientras ase la parrilla.
- Visite [foodsafety.gov](https://www.foodsafety.gov) para obtener información sobre las temperaturas de cocción seguras.

## **Instrucciones de mantenimiento para el usuario**

Su horno tostador debe limpiarse en forma regular para obtener un desempeño óptimo, una larga vida y reducir el riesgo de incendios. Este electrodoméstico requiere poco mantenimiento. No contiene piezas que puedan ser reparadas por el usuario. No intente reparar la unidad usted mismo. Cualquier mantenimiento, aparte de la limpieza, para el que sea necesario desarmar el aparato, debe ser realizado por un técnico autorizado para reparar electrodomésticos.

## **Instrucciones de cuidado y limpieza**

1. Antes de limpiar, desenchufe el horno tostador y déjelo enfriar por completo.
2. Lave todos los accesorios con agua y jabón neutro, incluyendo la rejilla y la bandeja para hornear.
3. No use limpiadores abrasivos, cepillos para fregar o limpiadores químicos en la bandeja para hornear.
4. Limpie el interior del horno con un paño húmedo.
5. Para limpiar la puerta, utilice un paño mojado embebido con detergente o jabón.
6. Nunca sumerja la unidad en agua ni en ningún otro líquido.
7. Cualquier otro tipo de mantenimiento debe ser efectuado por un representante de servicio técnico autorizado.

## **Instrucciones de almacenamiento**

Desenchufe la unidad, déjela enfriar y límpiela antes de guardarla. Guarde el horno tostador en su caja, en un lugar limpio y seco. Nunca guarde el electrodoméstico mientras está caliente o aún enchufado. Nunca enrolle el cable alrededor del electrodoméstico de forma apretada. No aplique tensión en el cable en la parte que ingresa a la unidad, ya que el cable podría pelarse y romperse.

# KITCHENSMITH™

## Garantía limitada de DOS AÑOS

Mediante la presente, SENSIO Inc. garantiza que, durante el plazo de **DOS AÑOS** a partir de la fecha de compra, este producto no presentará defectos mecánicos en el material ni en la mano de obra, y durante 90 días, no los presentará en las piezas no mecánicas. A su entera discreción, SENSIO Inc. reparará o reemplazará el producto que resulte defectuoso, o emitirá un reembolso por el producto durante el plazo de garantía.

Esta garantía es válida únicamente para el comprador minorista original a partir de la fecha de compra minorista inicial y no es transferible. Conserve el recibo de compra original, ya que se exige una prueba de compra para obtener la validación de la garantía. Las tiendas minoristas no tienen derecho a alterar, modificar ni corregir de ninguna manera los términos y condiciones de la garantía.

### EXCLUSIONES:

La garantía no cubre el desgaste normal de las piezas ni el daño ocasionado por cualquiera de las siguientes causas: uso negligente del producto, uso de un voltaje o corriente incorrectos, mantenimiento de rutina inadecuado, uso contrario al de las instrucciones de funcionamiento, desarmado, reparación o alteración a cargo de personas que no sean miembros del personal calificado de SENSIO Inc. Asimismo, la garantía no cubre actos de la naturaleza, como incendios, inundaciones, huracanes o tornados.

SENSIO Inc. no asumirá responsabilidad por daños incidentales o resultantes ocasionados por la violación de cualquier garantía expresa o implícita. Salvo en la medida en que lo prohíban las leyes aplicables, cualquier garantía implícita de comerciabilidad o aptitud para un propósito particular se limita temporalmente a la duración de la garantía. Algunos estados, provincias o jurisdicciones no permiten la exclusión ni la limitación de daños incidentales o resultantes, o limitaciones sobre la duración de una garantía implícita y, por lo tanto, es posible que las exclusiones o limitaciones mencionadas no le correspondan. La garantía cubre derechos legales específicos que pueden variar de un estado, una provincia o una jurisdicción a otros.

### CÓMO OBTENER EL SERVICIO DE GARANTÍA:

Debe comunicarse con el Servicio de atención al cliente a nuestro número telefónico gratuito: 1-866-832-4843. Un representante del Servicio de atención al cliente intentará resolver los problemas referidos a la garantía por teléfono. Si este no puede resolver el problema, le proporcionarán un número de caso y le solicitarán que devuelva el producto a SENSIO Inc. Adhiera una etiqueta al producto que incluya: su nombre, dirección, número telefónico de contacto durante el día, número de caso y descripción del problema. Además, incluya una copia del recibo de compra original. Envuelva cuidadosamente el producto etiquetado con el recibo de compra, y envíelo (con el envío y el seguro prepagados) a la dirección de SENSIO Inc. SENSIO Inc. no asumirá obligación ni responsabilidad alguna por el producto devuelto que esté en el trayecto hacia el Centro de servicio al cliente de SENSIO Inc.

# KITCHENSMITH™

For customer service questions or comments

Dudas o comentarios contactar el departamento de servicio al cliente

1-866-832-4843

[www.sensioinc.com](http://www.sensioinc.com)

KitchenSmith is a trademark owned by 8479950 Canada Inc.  
All rights reserved.

KitchenSmith es una marca propiedad de 8479950 Canada Inc.  
Todos los derechos reservados.